



# UNISPACER™

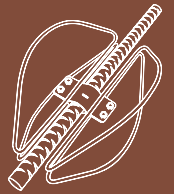
SINGLE BAR CENTRALIZER

## WHY USE IT?

In order to properly position and centralize single bar reinforcement within a shaft prior to or after concrete/grout placement. With sufficient lead time, specialty sizes and coatings are available to suit your project's specific needs.

## UNISPACER

A guide and alignment system for centralizing single bar reinforcement within augercast piles, tiebacks, and soil anchors.



### APPLICATIONS

- Auger-cast Pile Foundations
- Shell Pile Foundations
- Drilled Pile Foundations
- Soil Anchors
- Tiebacks
- Mini-pile Foundations
- Micro-pile Foundations
- Shear Keys

### ADVANTAGES

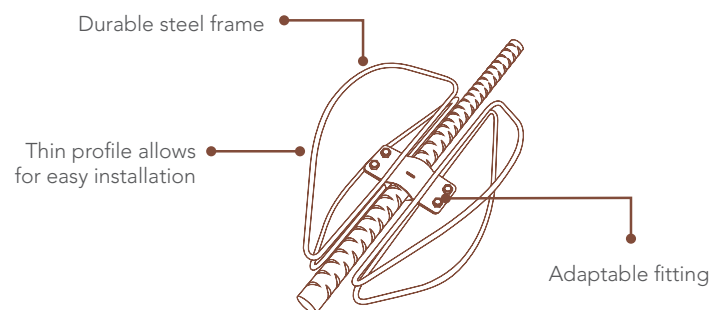
- Saves time and money
- Easily installed
- Practically engineered
- Strong and durable
- Excellent guide system for placement of single bars into structural foundation and anchor shafts
- Economical to use

### CONSTRUCTION BENEFITS

- Ensures that the bar reinforcement is properly spaced and aligned within the confines of the shaft or pile structure.
- Provides built-in quality control for the engineer.
- Increased job profitability due to quick and easy installation.
- Requires only unskilled labor to install.
- Releases skilled labor for more demanding tasks.

### UNISPACER MINIMUM PLACEMENT RECOMMENDATIONS

- Place lower centralizer 24 inches from the end of the bar/bottom of the shaft.
- Space additional centralizers a maximum of 15 feet along the length of bar to be centered from the lowermost centralizer.
- Each shaft should contain a minimum of 2 centralizers per bar installed.
- The topmost centralizer should be positioned within 2 to 4 feet from the top of the shaft.



Unispacers attached to staged single bar reinforcement



MODEL	SHAFT DIAMETER	BAR SIZE	PACKAGING	WEIGHT
US0600C	6"	#7 - #11	10	16 lbs
US1214*	12" - 14"	#7 - #11	10	25 lbs
US1618*	16" - 18"	#7 - #11	10	31 lbs

*\*Available in powder-coated version, non-stock item*

Field installation of Unispacer



Unispacers attached to all-thread bar

