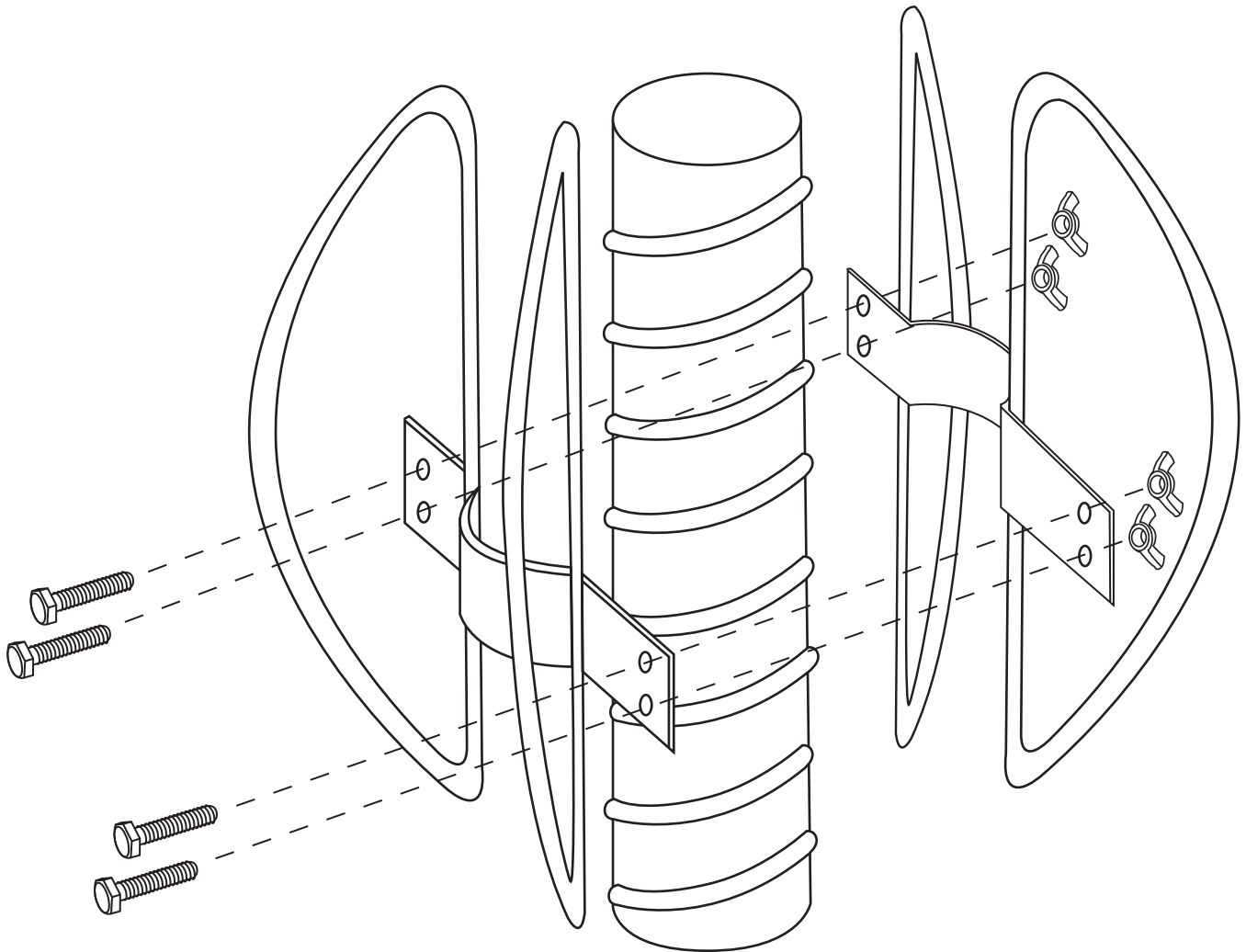


UNISPACER™

PART DETAIL - ASSEMBLY & INSTALLATION



UNISPACER™
CENTRALIZER

ANOTHER PRACTICAL ENGINEERED CONCEPT FROM

LOWTECH CORPORATION

Patents Pending